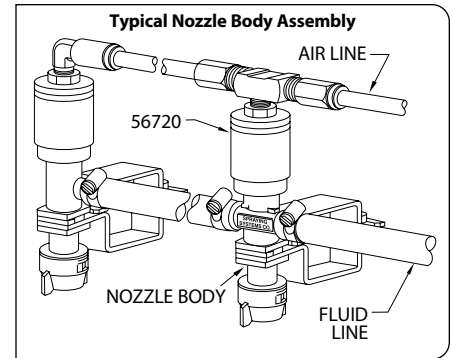




58140



56720



## 58140 ChemSaver Manual Shutoff

- Use with any application where individual shutoff is important such as golf course and estate sprayers.
- 150 PSI (10 bar) maximum pressure rating.
- Nylon construction.

## 56720 ChemSaver Air Shutoff Valve

### Pneumatic Line Features:

- 56720 ChemSaver Air Shutoff Valve is designed as a pneumatic valve for use on Quick TeeJet® nozzle assemblies. Air pressure is used to open the valve and a spring is used to close the valve.
- Available in 1/8" NPT or BSPT (F) threads.
  - Valve is normally closed.
  - Air consumption per valve: 0.015 CF/CYCLE (.0007 L/CYCLE).

## System Line Features:

- Maximum 115 PSI (8 bar) liquid pressure.
- Must be compatible with Viton® polypropylene and polyurethane.
- (B)56720-1/8-F is for TeeJet nozzle bodies using one-piece diaphragm check valve with a flat diaphragm.
- (B)56720-1/8-B is for TeeJet nozzle bodies using two-piece diaphragm check valve with a bead diaphragm.

### How to order:

Contact your local TeeJet supplier for more information.

CHEMSAVER DIAPHRAGM CHECK VALVES	EXPLODED VIEW																		
<p>Back end of Diaphragm Check Valves (Brass)</p>	<p><b>CP6227-TEF</b> Diaphragm Teflon® (optional) To be used with 4620 Diaphragm</p>	<p><b>CP4620-FA</b> Diaphragm Fairprene® or Viton</p>	<p><b>9758</b> End Cap Subassembly Brass, Aluminum</p>	<p><b>CP4624</b> Retainer Brass, Aluminum</p>															
<p>Back end of Diaphragm Check Valves (Nylon)</p>	<p><b>CP6227-TEF</b> Diaphragm Teflon (optional) To be used with 21953 Diaphragm</p>	<p><b>CP21953-EPR</b> Diaphragm EPDM or Viton</p> <p><b>Note:</b> Nib on diaphragm fits into hole in end cap assembly.</p>	<p><b>21950-NYB</b> ChemSaver End Cap Assembly Nylon/polypropylene</p>	<table border="1"> <thead> <tr> <th>PART NUMBER</th> <th>APPROXIMATE OPENING PRESSURE</th> </tr> </thead> <tbody> <tr> <td>21950-2-NY</td> <td>2 PSI (0.14 bar)</td> </tr> <tr> <td>21950-8-NYB</td> <td>8 PSI (0.6 bar)</td> </tr> <tr> <td>21950-10-NYB</td> <td>10 PSI (0.7 bar)</td> </tr> <tr> <td>21950-15-NY</td> <td>15 PSI (1 bar)</td> </tr> <tr> <td>21950-20-NYB</td> <td>20 PSI (1.4 bar)</td> </tr> <tr> <td>21950-30-NYB</td> <td>30 PSI (2 bar)</td> </tr> </tbody> </table>	PART NUMBER	APPROXIMATE OPENING PRESSURE	21950-2-NY	2 PSI (0.14 bar)	21950-8-NYB	8 PSI (0.6 bar)	21950-10-NYB	10 PSI (0.7 bar)	21950-15-NY	15 PSI (1 bar)	21950-20-NYB	20 PSI (1.4 bar)	21950-30-NYB	30 PSI (2 bar)	
PART NUMBER	APPROXIMATE OPENING PRESSURE																		
21950-2-NY	2 PSI (0.14 bar)																		
21950-8-NYB	8 PSI (0.6 bar)																		
21950-10-NYB	10 PSI (0.7 bar)																		
21950-15-NY	15 PSI (1 bar)																		
21950-20-NYB	20 PSI (1.4 bar)																		
21950-30-NYB	30 PSI (2 bar)																		
<p>QJ353</p>	<p><b>CP56709-EPDM</b> Diaphragm EPDM or Viton</p>	<p><b>56714-NYB</b> End Cap Subassembly</p>	<p><b>CP56711-NYB</b> Retaining Ring</p>																